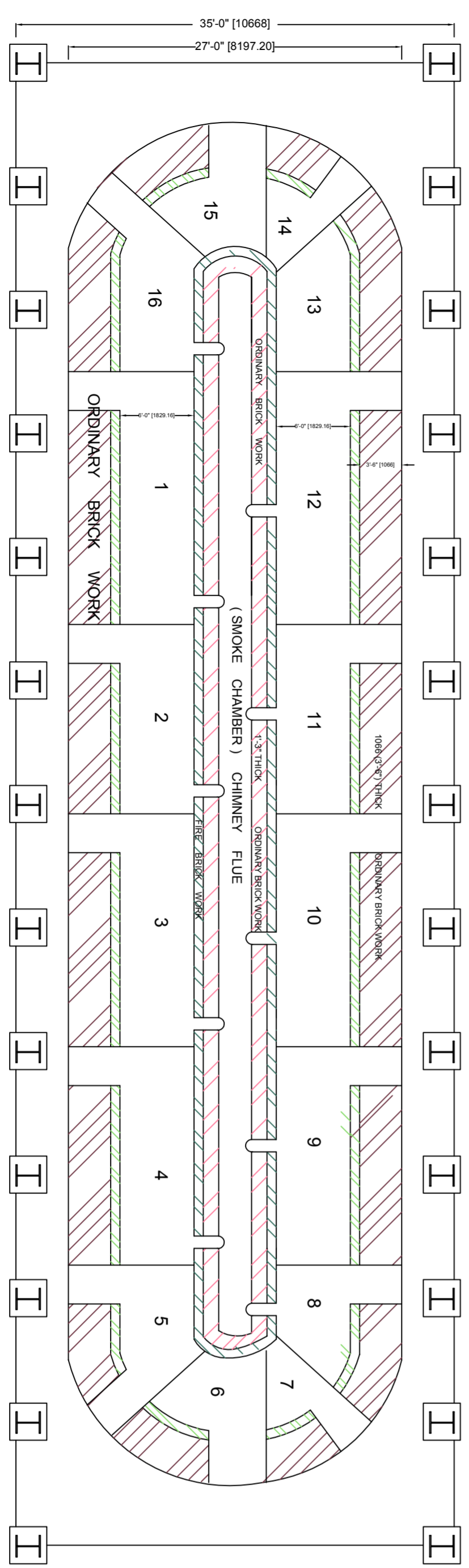
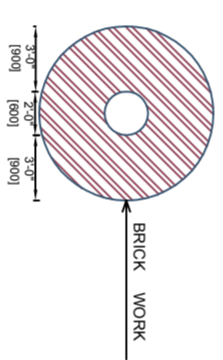
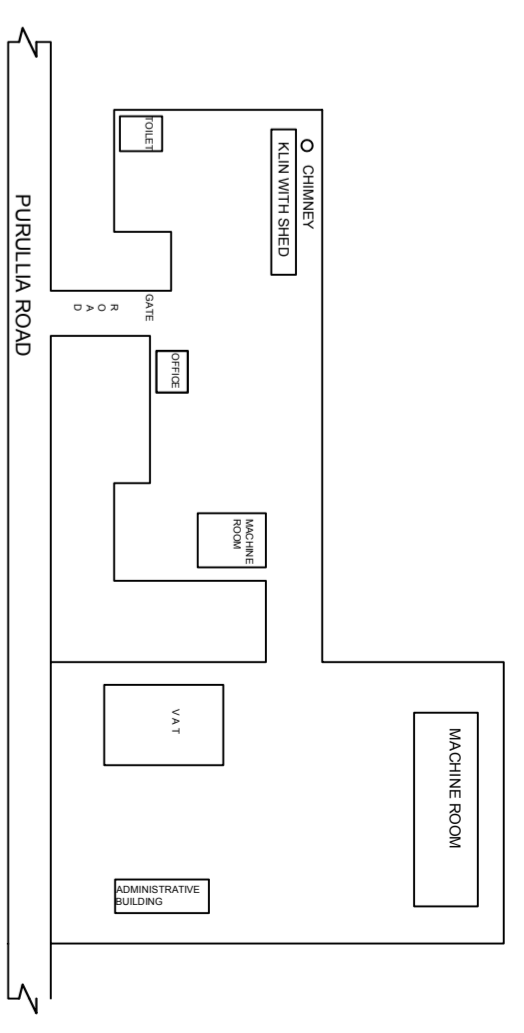


FRONT ELEVATION OF KLIN, SHED & CHIMNEY

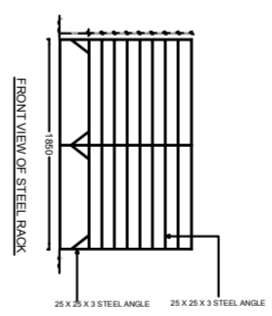
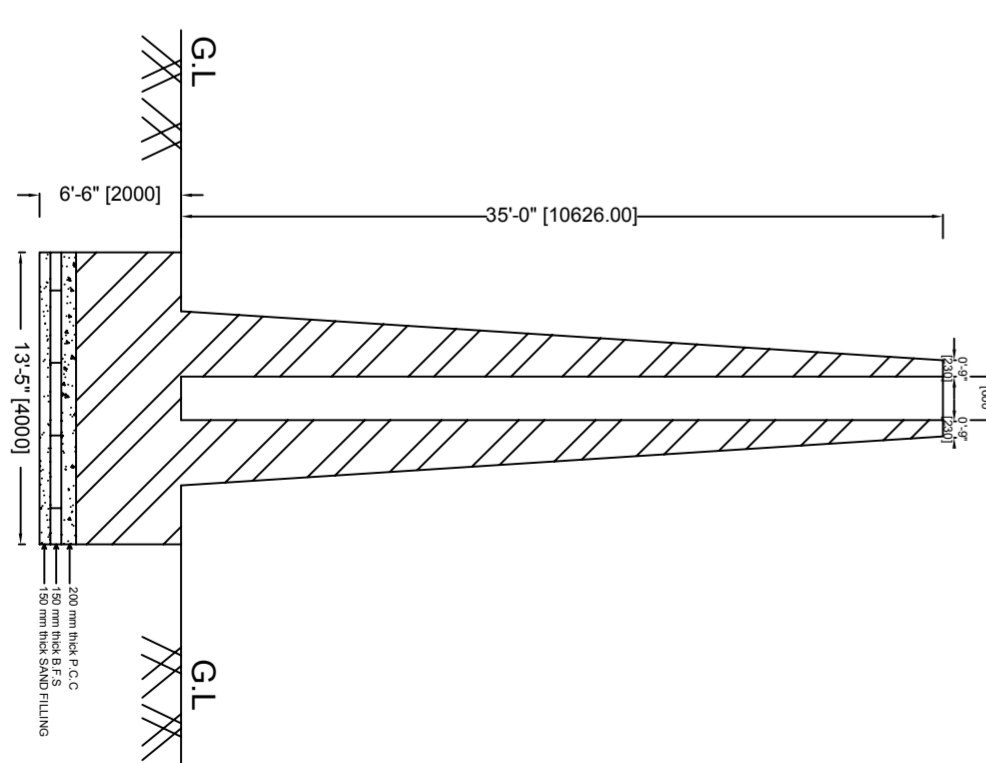


PLAN OF KLIN, SHED & CHIMNEY

SCALE - 1 : 100



SITE MAP



NOTES AND SPECIFICATION:  
 - ALL DIMENSIONA ARE IN MM  
 - GRADE OF CONCRETE FOR P.C.C (1:3:6)  
 - GRADE OF CONCRETE FOR R.C.C (1:1.5:3)  
 - GRADE OF STEEL FOR R.C.C Fe 415 (TOR)  
 - ALL WORKS SHALL BE DONE AS PER DIRECTION OF AUTHORITY

DIRECTION PLAN OF KLIN SHED CHIMNEY & STEEL RACK OF MURLU CLAY TILES CLUSTER INDUSTRIAL CO-OPERATIVE SOCIETY LTD. UNDER CLUSTER DEVELOPMENT PROJECT AT MOUZA-MURLU, JL. NO - 105, PLOT NO-204, 207, 211, 212, 213, 214, UNDER SALTORE GRAM PANCHAYAT, P.O +P.S.- SALTORA, DIST-BANKURA, WEST BENGAL.

SIGNATURE OF AUTHORITY

DRAWING NO - 1/2

SIGNATURE OF ENGINEER.